

## Description

This is a range of float type automatic liquid drainers for air and gas systems. It is designed for using the place where much amount of drain is expected such as separator on air main, after cooler, inter cooler, air cooler, air receiver dryers, oil coolers and many more. This trap has simple construction and reliable operation due to their lever float type, with Cast Steel body. It is available in horizontal flanged connections.



## Limiting Conditions

Body Design Conditions	PN40
PMO - Maximum Operating Pressure	32 kgf/cm <sup>2</sup>
TMO - Maximum Operating Temperature	300 °C
PMA - Maximum Allowable Pressure	40 kgf/cm <sup>2</sup>
TMA - Maximum Allowable Temperature	350 °C
Cold Hydraulic Test Pressure	60 kgf/cm <sup>2</sup>

## Operating Range

$\Delta$ PMX – Maximum differential pressure

Model	$\Delta$ PMX
882AT - 10	10 kgf/cm <sup>2</sup>
882AT - 20	20 kgf/cm <sup>2</sup>
882AT - 32	32 kgf/cm <sup>2</sup>

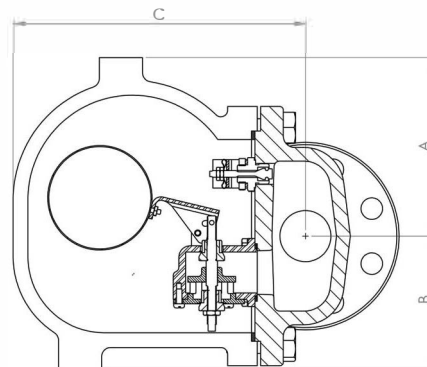
## Sizes and Pipe Connections

DN 40, 50 Flanged (ANSI B16.5)

## Dimensions / Weights (Approximate) mm and kg

Size	A	B	C	F-F	Weight
DN40	160	120	260	320	40
DN50	160	120	260	320	42

Construction are a bit different according the





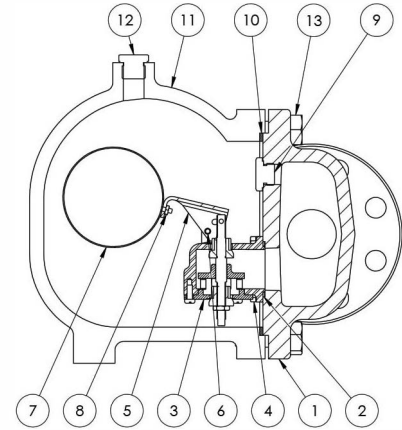
**E.S.E. Valve Co. Ltd.**  
**02156897607**  
**09102551161**

E.S.E. Valve Co.

## Ball Float Air & Gas Traps - 882

### Materials

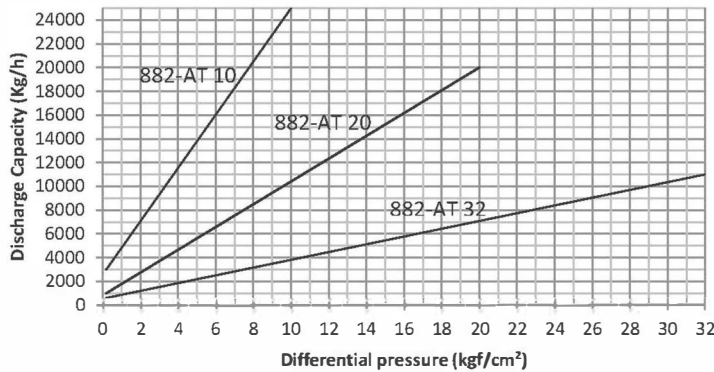
No.	Part	Material
1	Body	ASTM A216 WCB
2	Valve Seat Gasket *	Reinforced Exfoliated Graphite
3	Valve Seat Assembly *	AISI 316
4	Bolt	Stainless Steel
5	Lever *	AISI 316
6	Pivot Pin	Stainless Steel
7	Ball Float *	AISI 316
8	Nut	Stainless Steel
9	Plug	Stainless Steel
10	Cover Gasket *	Reinforced Exfoliated Graphite
11	Cover	ASTM A216 WCB
12	Air Balance Plug	ASTM A105
13	Bolt M16x1.5x50	ASTM F568M 10.9



Note: (\*) Spare Part

### Capacities

Maximum continual discharge amount (Kg/h)



Note: Water entering the trap lifts the float and opens the discharge valve. This adjusts the valve opening so that there is a continuous flow of water through the trap. There are no pressure fluctuations as the trap opens and closes.

### Installation

The trap should be installed in a horizontal pipeline with the direction of flow as indicated by the arrow on the trap body.

Note: An equalizing line should be installed. This will equalize the pressure to the trap, eliminate gas binding and permit a smooth uninterrupted flow of condensate to the trap; the equalizing line connection to the tank must be above the level of any possible accumulation of condensate.

### How to Order

Example: AT882 – DN50 – 10, Ball Float Air Trap.

Design and specification are subject to change without notice